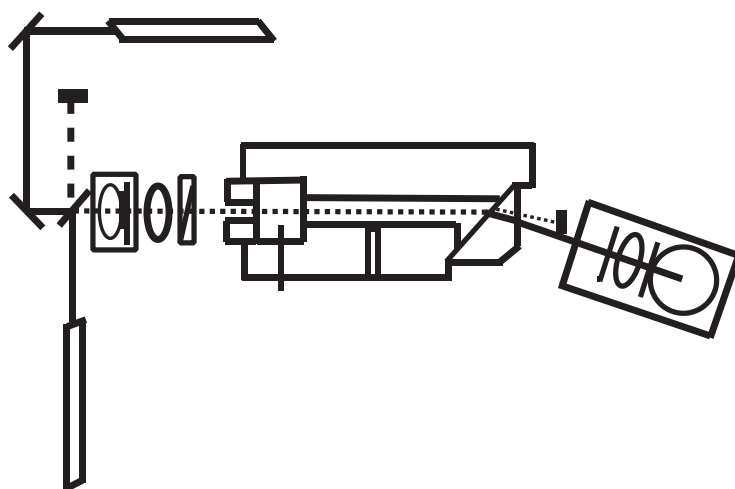


# Benjamin Chu

Distinguished Professor of Chemistry  
1968-2015  
Chair of Chemistry 1978-1985

Pure and Applied Polymer Scientist



Cover: "Laser Light Scattering,"  
Academic Press, New York and  
London (1974), 2<sup>nd</sup> edition 1991.

Professor Chu applied many sophisticated techniques, especially X-ray, Raman, light, and neutron scattering, to achieve deep understanding of the properties of macromolecular, colloidal, and supramolecular solutions, nanocomposites, and biomaterials. He applied his work in such important areas as gene and drug delivery, tissue engineering, and water purification.